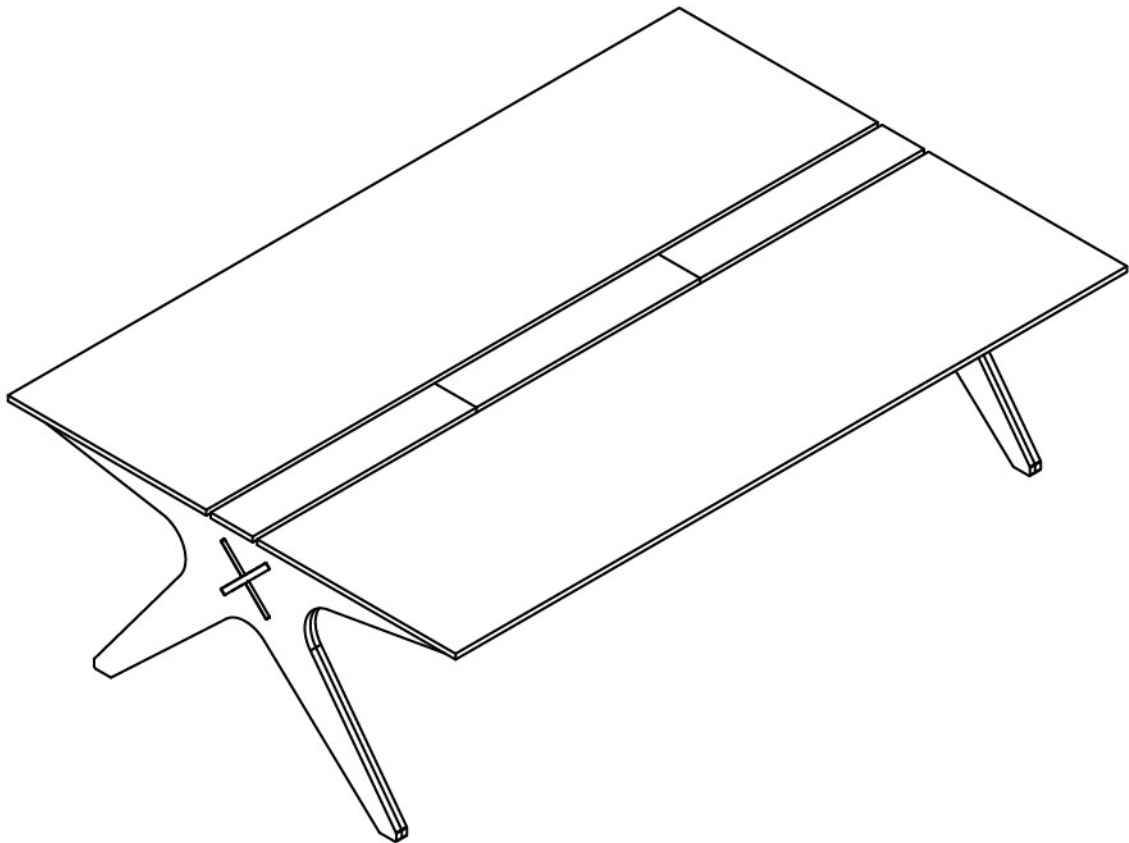


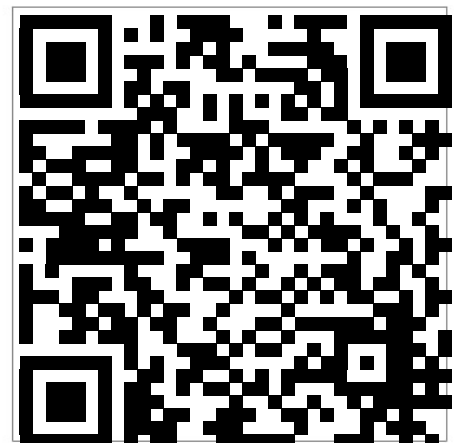


Lean Desk



Range: Lean
Designed by: Joni Steiner & Nick Ierodiaconou

YOUR PRODUCT'S UNIQUE CODE



*Downloaded by Kyo Akka on
2018-10-07 for non-commercial use.*

opendesk

twitter @open_desk
opendesk.cc

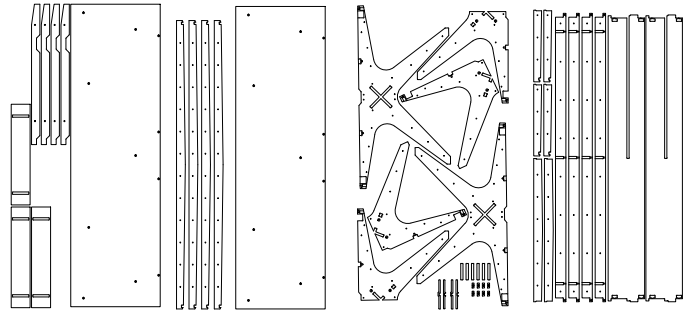
PRODUCT ASSEMBLY INSTRUCTIONS

PRODUCT: DESK
RANGE: LEAN
DESIGNERS: JONI STEINER, NICK IERODIACONOU
PUBLISHED: 27/11/17
PRODUCT VERSION: 1_5_0

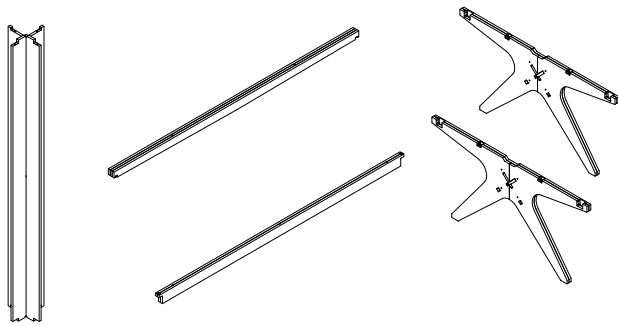
HARDWARE & TOOLS REQUIRED:

PVA WOOD GLUE
CLAMPS
30 x INSERT NUTS
30 x M6X32MM BOLTS
6MM DOWELS

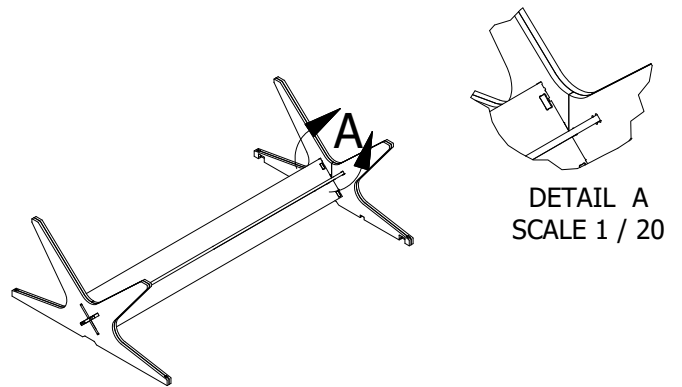
1. PARTS



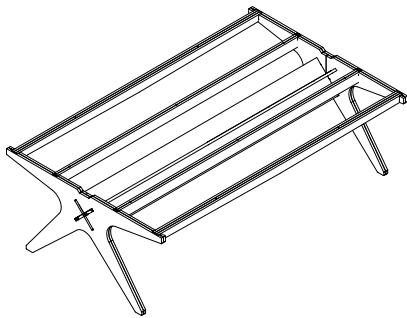
2. ASSEMBLE BEAMS AND LEGS USING
GLUE AND DOWELS THEN SAND AND OIL
ALL PARTS.



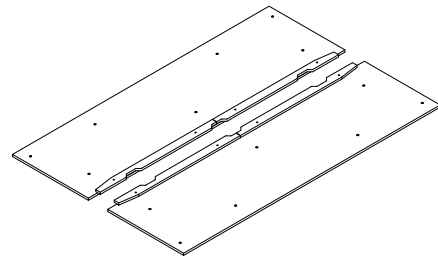
3. SCREW INSERT NUTS INTO BOTH LEGS,
FLIP THE ASSEMBLY, PLACE CENTER BEAM
AND BOLT IN PLACE.



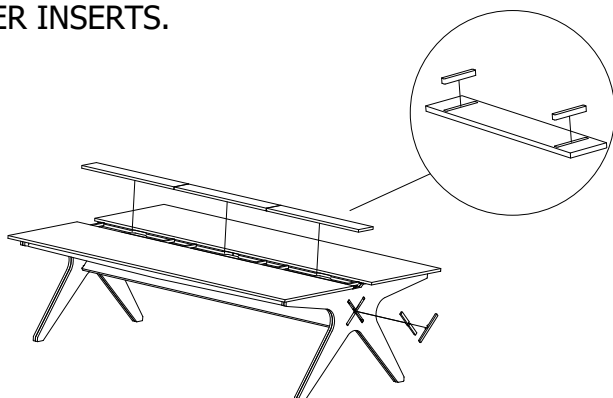
4. FLIP ASSEMBLY AGAIN AND DROP
REMAINING BEAMS IN PLACE.



5. SCREW INSERT NUTS INTO THE DESKTOP
AND BOLT CABLE TRAY STRIPS TO DESKTOP.



6. BOLT DESKTOP TO FRAME AND GLUE CABLE
COVER INSERTS.



7. THE DESK IS COMPLETE!

